

# CLP - Cartridge Lube Pump

## Grease Cartridge Lubricator

### General

The Cartridge Lube Pump is an electrically driven, single outlet, pump designed for use with the universal grease cartridges widely available in industry today. The lubricator is available with 12 or 24 VDC and 115/230 VAC power making them ideal for use in a range of industrial and mobile applications. An integrated controller enables seamless operation and external communication to host machine. The Cartridge Lube Pump can be ordered standalone or with a PVB kit installed and configured for 6mm O.D. Nylon Tubing secondary lines.

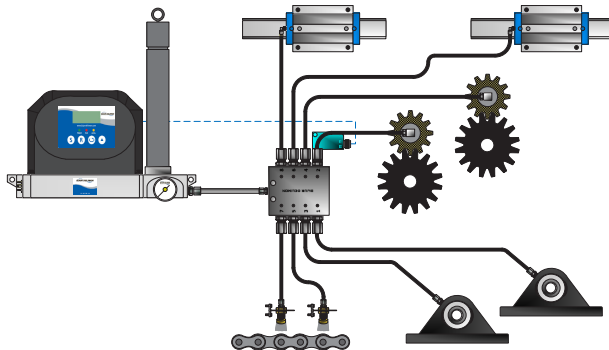
This pump was developed to meet a growing demand for replacing bulk grease lubricators with a system that could handle the more convenient cartridge greases. The benefits of the cartridge system are as follows:

- Convenience of refilling
- Clean
- Virtually zero waste
- Contamination free
- Easy to transport
- No requirement for support equipment to assist in handling and filling bulk grease

### Operation

A combined motor/gearbox unit drives an eccentric mechanism, which in turn operates a reciprocating piston. This action creates a suction and a pressure stroke, displacing a fixed volume of lubricant on every cycle of the piston, through an outlet check valve. An integrated, internal relief valve prevents excess system pressure, while a pressure gauge, fitted as standard, provides real-time feedback of the operating pressure.

The Cartridge Lube Pump may be used in conjunction with lubrication divider valves to progressively apply grease to individual lube points. For details on how to configure such a system please refer to the operating manual.



### Features

- Multiple Cartridge options
- Multiple voltage options
- Compact, rugged design
- Minimal maintenance required
- 120 bar (1740 psi) operating pressure with internal relief valve
- Low Level Switch
- User friendly Integrated Controller available
- Extremely silent in operation
- Kit versions with PVB divider valves (6,8,10 & 12 outlet options)



Cartridge Lube Pump (CLP)  
with Controller

#### Refer to the following:

- + Operator Manual #36917  
CLP Lubricator
- + DataSheet #35635:  
PVB Divider Valves
- + Datasheet #35426  
U-Blocks Divider Valves
- + Catalog # SL2800  
Singline Systems



BIJUR DELIMON INTERNATIONAL

(919) 465 4448 LOCAL  
(800) 631 0168 TOLL-FREE  
(919) 465 0516 FAX

[WWW.BIJURDELIMON.COM](http://WWW.BIJURDELIMON.COM)

1 Copley Parkway, Suite 104  
Morrisville, NC 27560

# CLP - Cartridge Lube Pump

## Grease Cartridge Lubricator



### Technical Data - General

Cartridge Type	Option A	Type A - 400g Universal Cartridge (14 ounce cartridge)
	Option B	Type B - 400g Threaded Cartridge
	Option C	Type C - 500g Threaded Cartridge
Lubricant	Up to NLGI #2	
Max working Pressure	120 bar (1740 psi)	
Flow Rate	8cc/min	
Outlet Port	G1/4 (right hand side of pump, 1 alternate outlet bottom of pump)	
Operating temperature	-20°C to +50°C (-4°F to 122°F)	
Approvals	CE	



Cartridge Lube Pump  
CLP-A2GZM

### Technical Data - Electrical

Operating Voltage	12 VDC or 24 VDC or 115 VAC / 230VAC			
Current	12VDC	Max 4A	115VAC	Max 2.0A
	24VDC	Max 2.8A	230VAC	Max 1.0A
Degree of Protection	IP67			
Electrical Controls	Option G	On Board Controller		
	Option F	Terminal Strip		
Controller	Microprocessor Based c/w 4 digit Octal Display			
Controller Inputs	4 x Push-Button Keys for Programming/operating			
	Low Level Switch			
	Divider Cycle switch			
Controller Outputs	Fault Contact - Configurable N/O or N/C			
	Fault Contact Rating - 1A @ 24VDC & 115VAC / 0.5A @ 230VAC			
Low Level switch	Option A & B	Microswitch		
	Option C	Capacitive Switch		
Microswitch	SPDT 5A 125/250VAC (Data for option F)			
Capacitive Switch	10...36V DC NPN 100mA max (Data for Option F)			
Electrical Connections	Power	Cable Gland or DIN Connector		
	Fault Output	Cable Gland or DIN Connector or M12 Connector		
	Cycle Switch Input	Cable Gland or M12 Connector		
	Other	PG7 Port		

#### Refer to the following:

- + Operator Manual #36917: CLP Cartridge Lube Pump

#### Note:

- + For all "Option" references: Refer to the **How to Order** section on page 3

### Technical Data - Physical Dimensions

Width (mm)	324			
Depth (mm)	140			
Mounting (mm)	2 x 8.5 Dia. holes, 306 center dimension			
	Option A	Option B	Option C	
		Option M	Option N	
Height (mm)(loaded condition)	390	360	305	325
Height w/PVB kit(mm)(loaded condition)	425	395	340	360
Weight (excluding cartridge)	4.7 kg (10.4lbs)	4.4 kg (9.7lbs)	3.9 kg (8.6lbs)	4.0 kg (8.8 lbs)
Overhead Clearance (mm)	250	612	30	30



#### BIJUR DELIMON INTERNATIONAL

(919) 465 4448 LOCAL  
(800) 631 0168 TOLL-FREE  
(919) 465 0516 FAX

[WWW.BIJURDELIMON.COM](http://WWW.BIJURDELIMON.COM)

1 Copley Parkway, Suite 104  
Morrisville, NC 27560

**36916 • R3 03/19**

# CLP - Cartridge Lube Pump

## Grease Cartridge Lubricator

### Cartridge Styles

**OPTION A**



Cartridge Lube Pump with  
Type A - 400g  
(14 ounce cartridge)

P.N. CLP-A2GZN

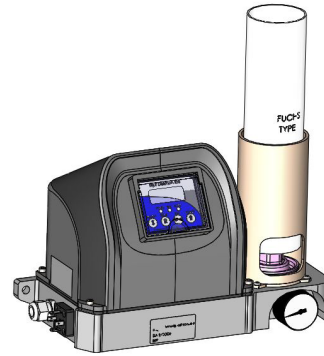
**OPTION B**



Cartridge Lube Pump with  
Type B - 400g  
& Mobile Finish

P.N. CLP-B2GXM

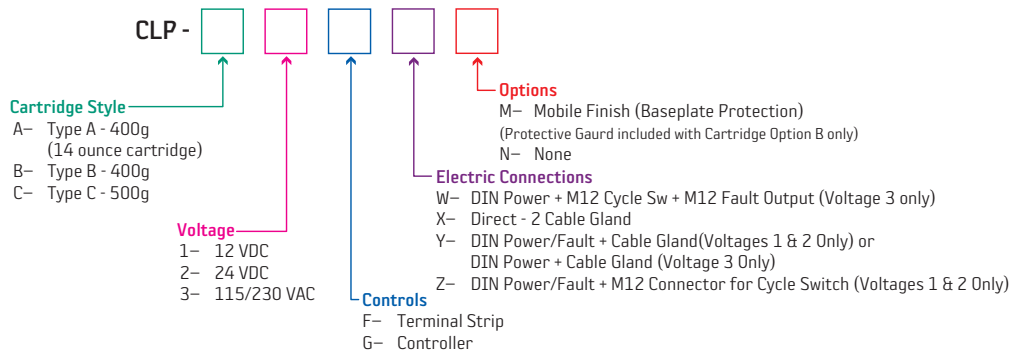
**OPTION C**



Cartridge Lube Pump with  
Type C - 500g

P.N. CLP-C2GYN

### How to Order CLP



Example: To order a Cartridge Lube Pump 24VDC that uses standard grease cartridges, controller with cable gland connectors and a Mobile Finish, you would use Part #CLP-A2GXM.

BIJUR DELIMON INTERNATIONAL

(919) 465 4448 LOCAL  
(800) 631 0168 TOLL-FREE  
(919) 465 0516 FAX

[WWW.BIJURDELIMON.COM](http://WWW.BIJURDELIMON.COM)

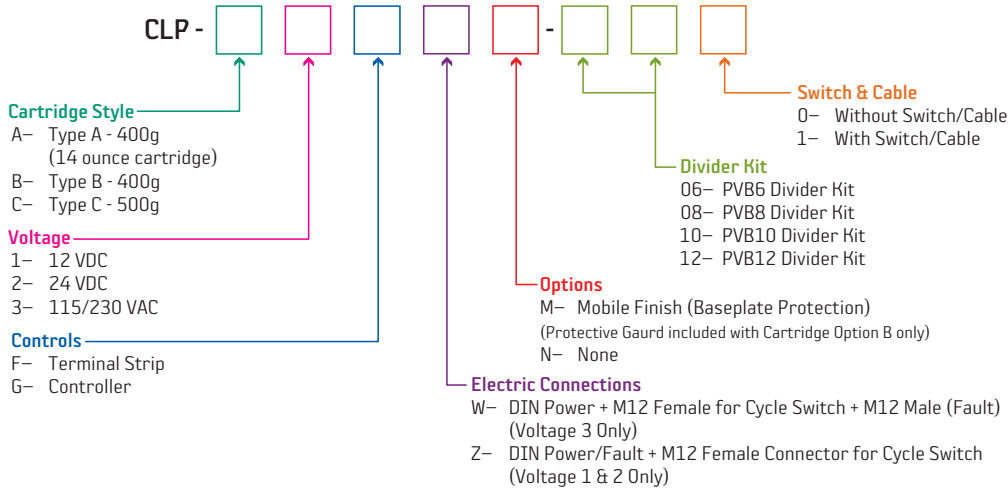
1 Copley Parkway, Suite 104  
Morrisville, NC 27560

# CLP - Cartridge Lube Pump

## Grease Cartridge Lubricator



### How to Order CLP with PVB Kit



Cartridge Lube Pump with PVB Kit

Example: To order a Cartridge Lube Pump Kit with a CLP-A2GZM & PVB 6 outlet divider, you would use Part #CLP-A2GZM-060.

**ATTENTION:**

The CLP w/PVB KITS include the following additional parts, see chart below:

- + 6mm HP O.D. Secondary Tubing
  - + 6mm PVB HP PTC Outlet Fittings
  - + 1/8NPT Straight HP PTC Lube Point Fittings
  - + C & B Style PVB Plugs
- note: C-Plugs cannot be used on outlets 1 or 2 of PVB Divider*  
*To use B-Plugs internal set screw and ball must be removed from outlet. (ref data sheet 35635 for more information)*

Divider Kit Code	Outlet Fittings	6mm O.D. HP Tubing	Lube Point fittings	PVB C-PLUG	PVB C-PLUG WASHER	PVB B-PLUG	PVB B-PLUG SLEEVE
06	6	18 Meters	6	4	4	3	3
08	8	24 Meters	8	4	4	3	3
10	10	30 Meters	10	4	4	3	3
12	12	36 Meters	12	4	4	3	3

**BIJUR DELIMON INTERNATIONAL**

(919) 465 4448 LOCAL  
 (800) 631 0168 TOLL-FREE  
 (919) 465 0516 FAX

[WWW.BIJURDELIMON.COM](http://WWW.BIJURDELIMON.COM)

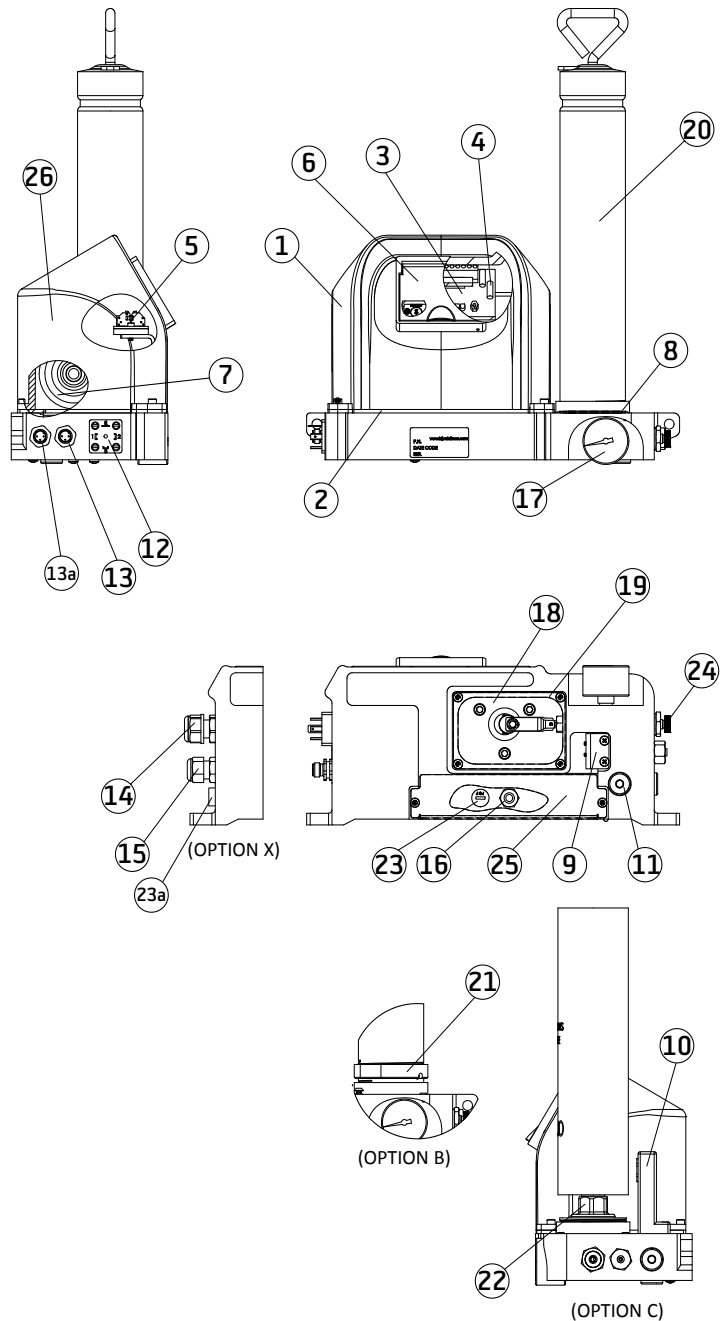
1 Copley Parkway, Suite 104  
 Morrisville, NC 27560

# CLP - Cartridge Lube Pump

## Grease Cartridge Lubricator

### Service Parts

Item	Description	Part #
1	Motor Cover Assembly Option G	71684
	Option F	71684-1
2	Motor Cover Gasket	70972
3	Controller Assembly (Option G)	70952
4	Controller Fuse 5A	27993
5	Terminal Strip Assembly (Option F)	71122
6	Controller Flip-Cover (Option G only)	75241-0316
7	Motor/Gearbox Assembly 12 VDC (Voltage option #1)	70949-12
	24 VDC (Voltage option #2&3)	70949-24
8	Ring Gasket	70984
9	Level Switch Assembly (Option A&B)	70970
10	Level Switch Assembly (Option C)	71520
11	Outlet Plug (Alternate Outlet)	AR1255
12	Elec Conn DIN DC (Options Y&Z)	70964
12a	Elec Conn DIN AC (Options W & Y)	71726
13	Elec Conn M12 (Options W & Z)	71712
13a	Elec Conn M12 (Option W)	70926
14	Cable Gland Assembly Large	71659
15	Cable Gland Assembly Medium	71519
16	Cable Gland Assembly Small	71683
17	Pressure Gauge	71524
18	Sump Cover	70639
19	Sump Gasket	70641
20	Grease Gun Assembly (Option A)	71661
21	Cartridge Adaptor (Option B)	70983
22	Cartridge Adapter (Option C)	71526
23	Plastic PG7 Plug	70992
23a	Plastic M16 Plug	71727
24	Bleed Plug Assembly	70974
25	Protection Plate	71613
26	Power Supply Unit (Option 3)	76916E022



### Accessories

Description	Part #
Cable Assemblies DIN for Power/Signal	2 meter long DIN402U75
	5 meter long DIN405U75
	10 meter long DIN410U75
Cable Assembly M12 for Cycle Switch	STR 5 meter long M123S05U34EXT
	STR 30 cm long M123S003U34EXT
6mm O.D. HP Nylon Tubing for PVB kit	Secondary tubing 731002173



BIJUR DELIMON INTERNATIONAL

(919) 465 4448 LOCAL  
(800) 631 0168 TOLL-FREE  
(919) 465 0516 FAX

[WWW.BIJURDELIMON.COM](http://WWW.BIJURDELIMON.COM)

1 Copley Parkway, Suite 104  
Morrisville, NC 27560

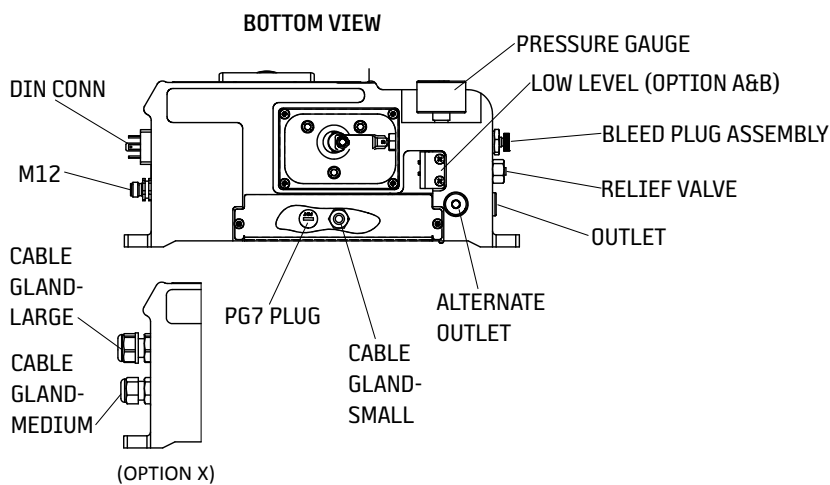
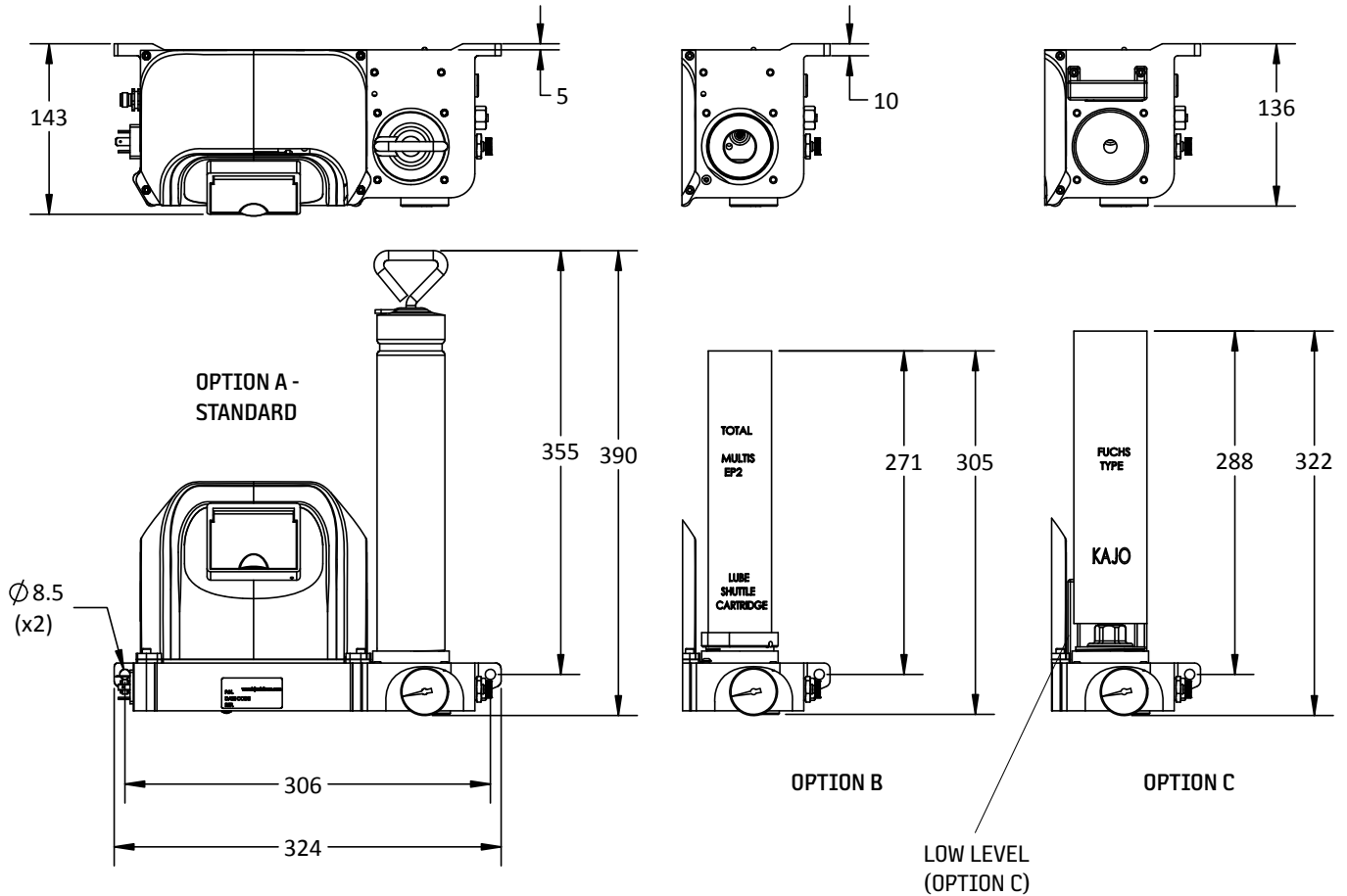
# CLP - Cartridge Lube Pump

## Grease Cartridge Lubricator



### Dimensions

Measurements shown in millimeters.



BIJUR DELIMON INTERNATIONAL

(919) 465 4448 LOCAL  
 (800) 631 0168 TOLL-FREE  
 (919) 465 0516 FAX

[WWW.BIJURDELIMON.COM](http://WWW.BIJURDELIMON.COM)

1 Copley Parkway, Suite 104  
 Morrisville, NC 27560

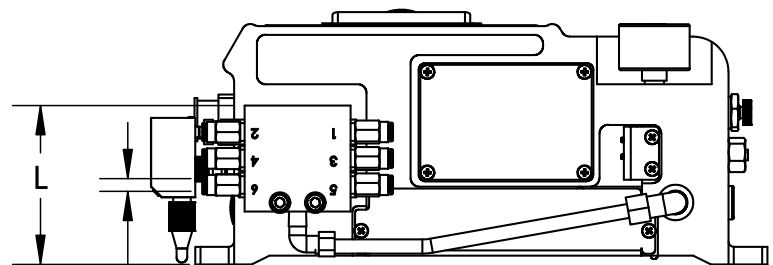
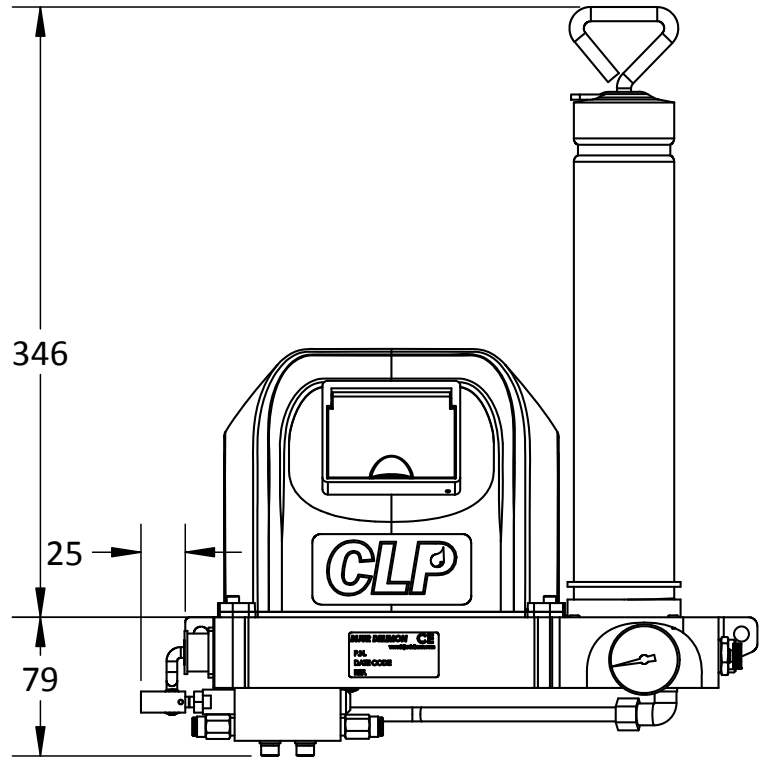
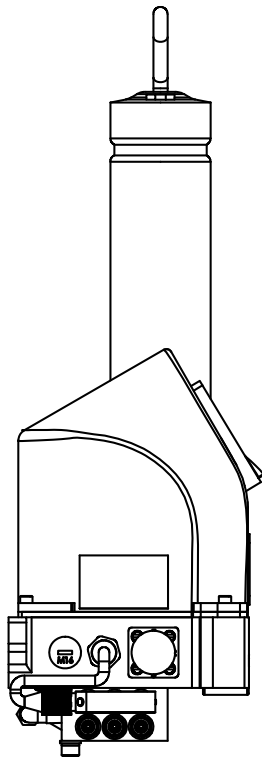
# CLP - Cartridge Lube Pump

## Grease Cartridge Lubricator



### Dimensions with PVB Kits

Measurements shown in millimeters.



6MM TUBE  
FITTINGS

Dimension "L"	CLP Part Number Reference
90mm	CLP-***Z*-06*
105mm	CLP-***Z*-08*
120mm	CLP-***Z*-10*
135mm	CLP-***Z*-12*

#### BIJUR DELIMON INTERNATIONAL

(919) 465 4448 LOCAL  
(800) 631 0168 TOLL-FREE  
(919) 465 0516 FAX

[WWW.BIJURDELIMON.COM](http://WWW.BIJURDELIMON.COM)

1 Copley Parkway, Suite 104  
Morrisville, NC 27560