

Electric Barrel Pumps - EBP & EBPD

Grease & Fluid Grease

General

Bijur Delimon's AC or DC Electric Barrel Pumps can replace the air or hydraulic operated pumps now used for lubrication systems on mobile or stationary equipment. Installation is cleaner - no air or hydraulic lines to install/leak. Simply wire into the machines power supply. Pressure rated to 300 bar (4350 psi). EBP Will fit original refinery 120 and 400 lb drums(50kg & 185kg). Optional drum covers and follower plates are available. EBPD will fit 90 & 60 lb containers.

Operation

The pump end (bottom) consists of a hardened steel bushing, through which the piston runs. As the piston strokes down, grease is pushed past the check valve ball and out through the extruded discharge holes in the pump stem. As the piston strokes up, the check valve prevents drawback, and a vacuum is created inside the bushing. When the piston uncovers the suction holes in the bushing, another charge of grease is drawn in through the suction ports on the bottom of the stem and into the bushing. The cycle then repeats.



120 lb. Electric Barrel Pump

Technical Data

Standard Tube Lengths/Fits Drum Size ¹		120 lb. (50 kg), 400 lb. (185 kg)
Voltages & Duty Cycle		24 VDC (S3 Duty Cycle -Intermittent Duty 5min on/5min off) 115/230 VAC (50/60 Hz) Single Phase (S1 Continuous Duty) 230/460 VAC (60 Hz) Three Phase (S1 Continuous Duty) 400 VAC (50 Hz) Three Phase (S1 Continuous Duty)
Amp Draw	24VDC ²	15 Amp draw @ 3500psi 20°C (68°F) with NLGI #2
	115VAC 50/60Hz 1Ph ³	4 Amp draw @ 3500psi 20°C (68°F) with NLGI #2
	220VAC 50/60Hz 1Ph ⁴	2 Amp draw @ 3500psi 20°C (68°F) with NLGI #2
	230VAC 60Hz 3Ph ⁵	2 Amp draw @ 3500psi 20°C (68°F) with NLGI #2
	460VAC 60Hz 3Ph ⁶	1 Amp draw @ 3500psi 20°C (68°F) with NLGI #2
	400VAC 50Hz 3Ph ⁷	1 Amp draw @ 3500psi 20°C (68°F) with NLGI #2
Lubrication Flow ⁸		150cc/minute @ 140 bar, +20°C (9 cu.in. @ 2030 psi, +68°F)
Pump Pressure		300 bar max/240 bar recommended (4350psi / 3480 psi)
Systems	Progressive ⁹	Pressure Relief Valve Included
	Injector	Vent Valve & Pressure Relief Valve Included
Relief Valve Pressure		240 bar / 3500 psi
Vent Valve Voltages		24 VDC 115/230 VAC (50/60 Hz) Single Phase
Operating Temperature ¹⁰		-25°C to +60°C (-13°F to +140°F)
Pressure Gauge		350 bar Included (5000 psi)
Lube Outlet Port		1/2" NPSF (F)
Lubricants ¹¹		NLGI #000 to #2
Rating		IP66
Noise Level ¹²		75dB

¹ Bung Bushing F360002 is included with pumps.

² 16 Amp draw spike. Recommend 40A fuse max.

³ 5 Amp draw spike. Recommend 7A fuse max.

⁴ 2.5 Amp draw spike. Recommend 4A fuse max.

⁵ 4 Amp draw spike. Recommend 5A fuse max.

⁶ 2 Amp draw spike. Recommend 2.5A fuse max.

⁷ 1.5 Amp draw spike. Recommend 2A fuse max.

⁸ Flow rate is for 60 Hz motors. 60 Hz motor can operate on 50 Hz but pump flow is reduced.

⁹ Suitable for Dualine system when paired with a hydraulic or electric reversing valve.

¹⁰ Lower temperatures may be possible with suitable grease and/or heated reservoir/piping.

¹¹ EBP will also work pumping oils.

¹² Noise level measured at 3' (1 m) from the pump.

Refer to the following documents:

+ Operator Manual #36915:
Electric Barrel Pump OM

+ Catalog #33136:
Industrial Lubrication Products

BIJUR DELIMON INTERNATIONAL

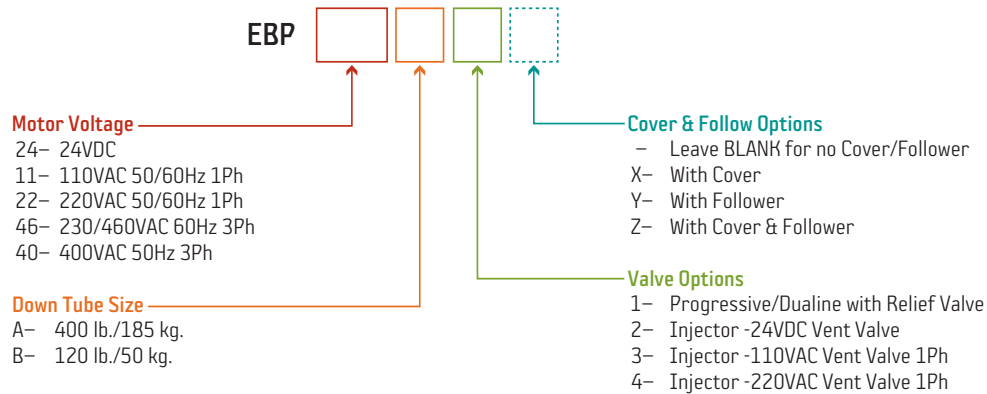
(919) 465 4448 LOCAL
(800) 631 0168 TOLL-FREE
(919) 465 0516 FAX

WWW.BIJURDELIMON.COM

1 Copley Parkway, Suite 104
Morrisville, NC 27560

36922 • R4 02/21

How to Order EBP

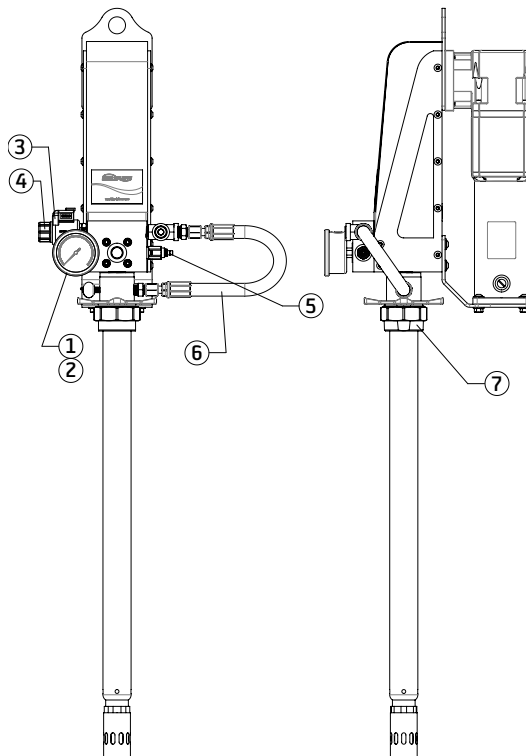


When ordering, specify by name, description and part number, e.g. Electric Barrel Pump, 24 VDC, 120 lb Down Tube, Progressive with Cover & Follower, Part #EBP24B1Z.

Service Parts

Item	Description	Part #
1	Pressure Gauge	U902FB
2	Elbow Adapter	U1104B
3*	Coil 24VDC	37636
	Coil 110VAC	37743
	Coil 220VAC	55601
4*	Cartridge Valve	37637
5	Pressure Relief Valve	55660-E
6	Hose Assembly	35869-400
7	Bung Adapter	F360002

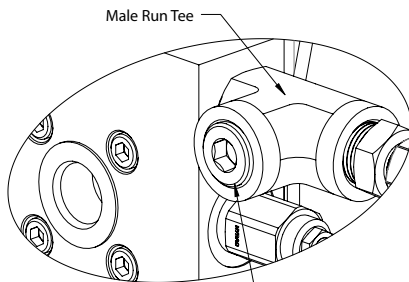
* Injector version only



Note: Duty Cycle

- + 24VDC: S3 Intermittent Duty 5min on/5min off
- + 115/220VAC: S1 Continuous Duty
- + 230/460VAC: S1 Continuous Duty
- + 400VAC: S1 Continuous Duty

Dualine System Notes:



For Dualine systems remove this plug from the male run tee for use as return port. (3/8NPTF)

BIJUR DELIMON INTERNATIONAL

(919) 465 4448 LOCAL
(800) 631 0168 TOLL-FREE
(919) 465 0516 FAX

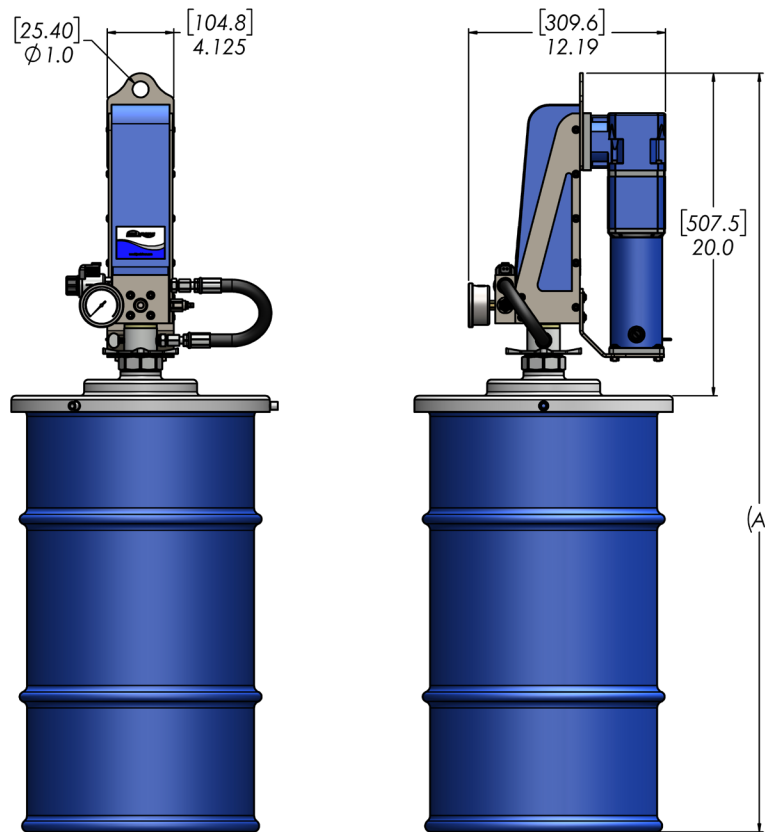
WWW.BIJURDELIMON.COM

1 Copley Parkway, Suite 104
Morrisville, NC 27560

EBP Dimensional Schematics 120 & 400 LB

ATTENTION

Pump does not include drum. See page 4 for accessories.



Measurements shown in inches.
[mm in brackets]

SIZE ¹	A
120 lb Drum (50kg)	47.0" (1194mm)
400 lb Drum (185kg)	55.0" (1397mm)

¹ Drum sizes that can be serviced:
 ·120 lb./50 kg drum is ~685 mm tall x ~355 mm dia.
 ·400 lb./185 kg drum is ~860 mm tall x ~560 mm dia..











BIJUR DELIMON INTERNATIONAL

(919) 465 4448 LOCAL
 (800) 631 0168 TOLL-FREE
 (919) 465 0516 FAX

WWW.BIJURDELIMON.COM

1 Copley Parkway, Suite 104
 Morrisville, NC 27560

EBP Accessories

	DESCRIPTION	PART #
	Hose Assemblies 345 bar/5000 psi WP 1/2" I.D. Hose X 3/4-16 SAE female ends	72"-IN LG 200549
		144"-IN LG HOS13907B
	STR Male Adapters for hoses (Additional sizes in Catalog 151)	3/4-16 x 1/2NPT U43188 3/4-16 x 3/8NPT U43168 3/4-16 x 1/4NPT U43148
	Drum Covers	120 LB F418017*
	* Order with Adapter F360133	400 LB F418026*
	Follower Plates	120 LB F964 400 LB F966
		120LB NEMA 1 LC10243
	Level Switch Kits* (Requires Follower Plate)	400 LB NEMA 1 LC11036 120 LB NEMA 4X LC13689C 400 LB NEMA 4X LC13689C-1
	Empty Drum Containers	120 LB 37153 400 LB 36490
	Drum Blanket Heaters	120 LB 37506 400 LB 55286
	Pump Hoist	F391022
	Grease Handles with Meter 1/4"NPTF	F1177
	Pump Tie Down Kits	120 LB F2440 400 LB F2450
	Bung Seal	F244901



400 lb. Electric Barrel Pump

ATTENTION

Bung Adapter F360002 is included with pumps.



BIJUR DELIMON INTERNATIONAL

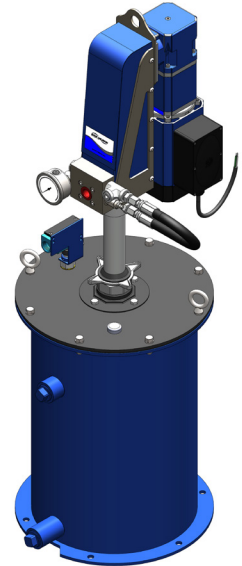
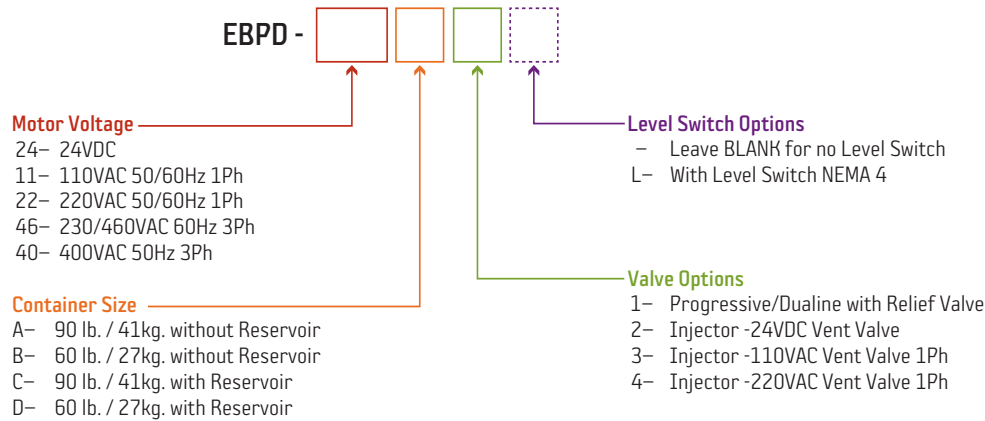
(919) 465 4448 LOCAL
(800) 631 0168 TOLL-FREE
(919) 465 0516 FAX

WWW.BIJURDELIMON.COM

1 Copley Parkway, Suite 104
Morrisville, NC 27560

36922 • R4 02/21

How to Order EBPD

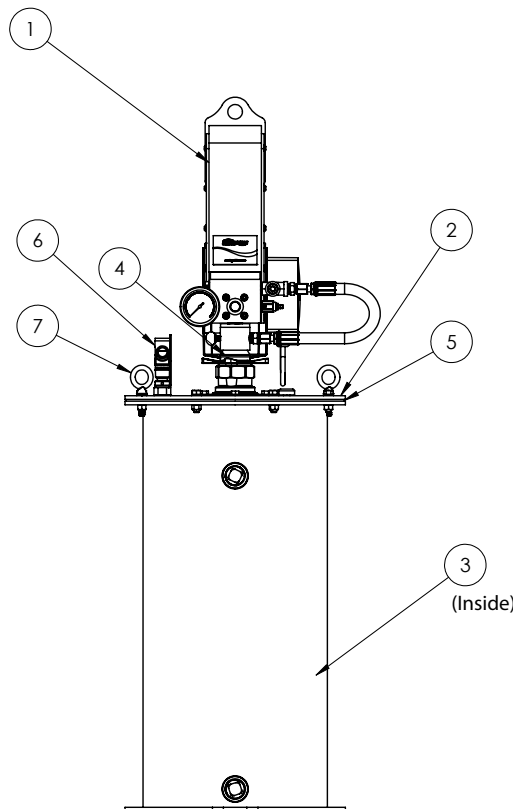


When ordering, specify by name, description and part number, e.g. Electric Barrel Pump Dedicated Container, 24 VDC, 60 lb Container Size, Progressive with Low Level Switch, Part #EBPD-24B1L.

Service Parts

Item	Description	Part #
1	EBP Pump	*
2	Cover Assembly	85272
3	Follower Assembly 90 LB	85266-A
	Follower Assembly 60 LB	85266-B
4	Bung Seal	F244901
5	Gasket	85268
6	Level Switch Assembly 90 LB	85269-A
	Level Switch Assembly 60 LB	85269-B
7	Lifting Bolts & Fasteners	85277

*EBP part number note: Use EBP_{xx}By
 xx = motor voltage code
 y = valve code



Attention:

Container Sizes A & B directly fit competitors 60 lb. (27kg) & 90 lb. (41kg) reservoir containers*.

*Fits containers conforming to dimensions shown on page 6.

BIJUR DELIMON INTERNATIONAL

(919) 465 4448 LOCAL
 (800) 631 0168 TOLL-FREE
 (919) 465 0516 FAX

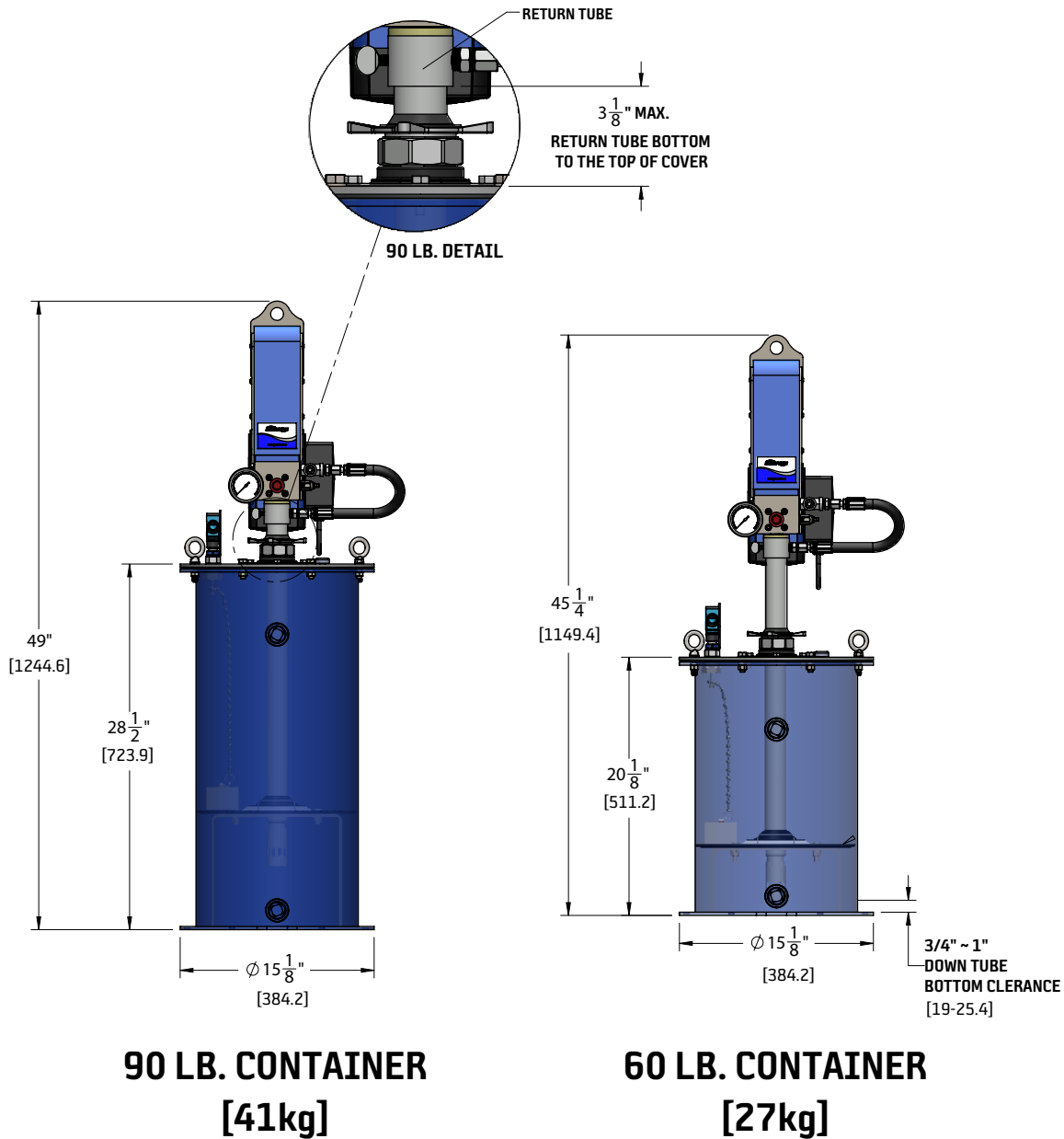
WWW.BIJURDELIMON.COM

1 Copley Parkway, Suite 104
 Morrisville, NC 27560

36922 • R4 02/21

EBPD Dimensional Schematics 60 & 90 LB

Measurements shown in inches.
[mm in brackets]



Control Packages - EBPC

AC & DC



AC Applications

Bijur Delimon's EBPC AC Control Packages are available for the Electric Barrel Pumps. The packages are assembled into a Polycarbonate Nema 4X enclosure, 12" X 10" X 4" with window. They include a relay, terminal blocks and SMAC controller.

How to Order EBPC AC

Name	Description	Part #
EBPC Controller	Controller Enclosure with SMAC (110 VAC)	EBPC-11AC
	Controller Enclosure with SMAC (220 VAC)	EBPC-22AC

When ordering, specify by name, description and part number, e.g. EBPC Control Package 110 VAC, Part # EBPC-11AC.



DC Applications

Bijur Delimon's EBPC DC Control Packages are available for the Electric Barrel Pumps. The packages are assembled into a Polycarbonate Nema 4X enclosure, 12" X 10" X 4" with window. They include a Solid State Relay, terminal blocks and SMDC controller.

How to Order EBPC DC

Name	Description	Part #
EBPC Controller	Controller Enclosure with SMDC (24 VDC)	EBPC-24DC

When ordering, specify by name, description and part number, e.g. EBPC Control Package 24 VDC, Part # EBPC-24DC.



Refer to the following documents:

- + Operator Manual #36915:
Electric Barrel Pump OM
- + DataSheet #46912:
SMAC Controller Programming
- + DataSheet #46911:
SMDC Controller Programming

BIJUR DELIMON INTERNATIONAL

(919) 465 4448 LOCAL
(800) 631 0168 TOLL-FREE
(919) 465 0516 FAX

WWW.BIJURDELIMON.COM

1 Copley Parkway, Suite 104
Morrisville, NC 27560