

GPO Lubricator

Motor-driven gear pump, Oil

General

The GPO Lubricator is a motor-driven gear pump that is designed for use with single line centralized lubricating systems utilizing progressive distributors or injectors. Standard features include: liquid level indicator, pressure gauge and strainer filler cap. An adjustable pressure regulating oil bypass valve is standard on Progressive systems and a dump valve is standard on Positive Displacement Injector (PDI) systems. Programmable controllers are available to operate the lubricator.

Technical Data

Maximum Discharge Pressure	1000 psi (69 bar)	
Operating Temperature Range	40°F to 105°F (5°C to 40°C)	
Reservoir Capacities	6 liter, 12 liter, 30 liter	
Discharge	275cc/min (Single Phase 115VAC)	435cc/min (Single Phase 230VAC)
	500cc/min (Three Phase)	
	250cc/min (24VDC)	
Materials	Steel (6 & 12 liter), Aluminium (30 liter)	
Pressure Switch Setting	850 psi (58 bar) n/o and n/c changeover contacts	
Pressure Gauge Range	0-2321 psi (0-160 bar)	
Level Switch Connection	DIN43650 Electric connector and M12 connector options	
Output Connection	1/4" NPT (left and right options)	
Oil Viscosity	20-1500 cSt	
Bypass Valve	Progressive	Adjustable 0-1000 psi (0-69 bar)
Dump Valve	PDI	Standard
Oil Return Port	1/4" NPT	
Reservoir Filling	Fill cap with inlet strainer (40 mesh)	
	Automatic approved quick connect inlet (no strainer)	

Motor

Single Phase	Description	TENV, continuous duty motor w/ conduit box
	Supply Voltage	115 VAC
	Frequency	50/60 Hz
	Amperage	0.78 amp
Single Phase	Description	TEFC, continuous duty motor w/ conduit box
	Supply Voltage	230 VAC
	Frequency	50/60 Hz
	Amperage	0.85 amp @ 50 Hz.
Three Phase	Description	Continuous duty motor
	Supply Voltage	230-415 VAC (50 Hz)
		260-480 VAC (60 Hz)
	Frequency	50/60 Hz
Amperage	0.36 amp	
DC	Description	Continuous duty motor
	Supply Voltage	24 VDC
	Amperage	2.4 amp



Refer to the following documents:

- + Datasheet #46912: SMAC Controller
- + Brochure #414: ExactoServe Components
- + Datasheet #35217: PVB Divider Manifold
- + Brochure #SL2800: Singline Components

BIJUR DELIMON INTERNATIONAL

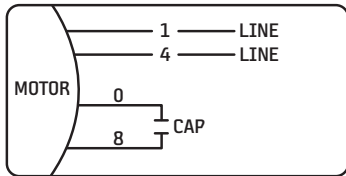
(919) 465 4448 LOCAL
 (800) 631 0168 TOLL-FREE
 (919) 465 0516 FAX

WWW.BIJURDELIMON.COM

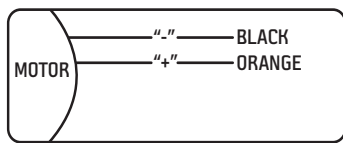
2250 Perimeter Park Dr., Suite 120
 Morrisville, NC 27560

Wiring

Single Phase

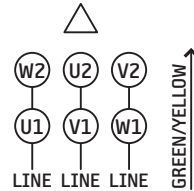


24 VDC

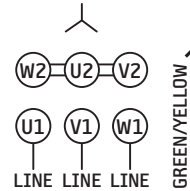


Three Phase

220-240 VAC, 50/60 Hz or
255-280 VAC, 50/60 Hz

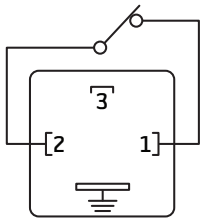


380-420 VAC, 50/60 Hz or
440-480 VAC, 60 Hz

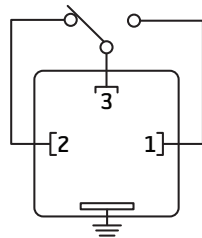


Low Level Switches

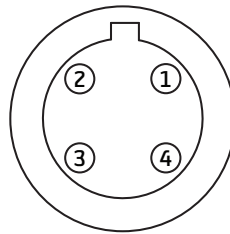
AC368/AC368-1



AC180-1

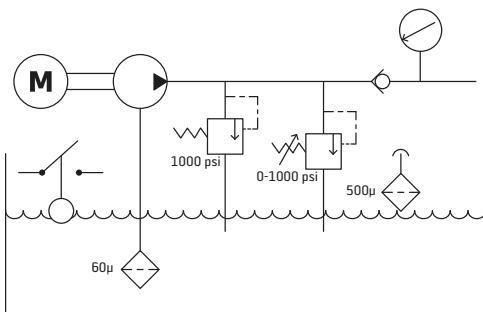


M12 Electric Connection

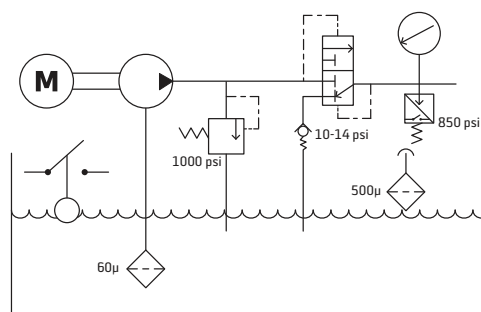


- 1. Brown (Not used)
- 2. White
- 3. Blue (Not used)
- 4. Black

Hydraulic Schematic (Progressive)



Hydraulic Schematic (PDI)



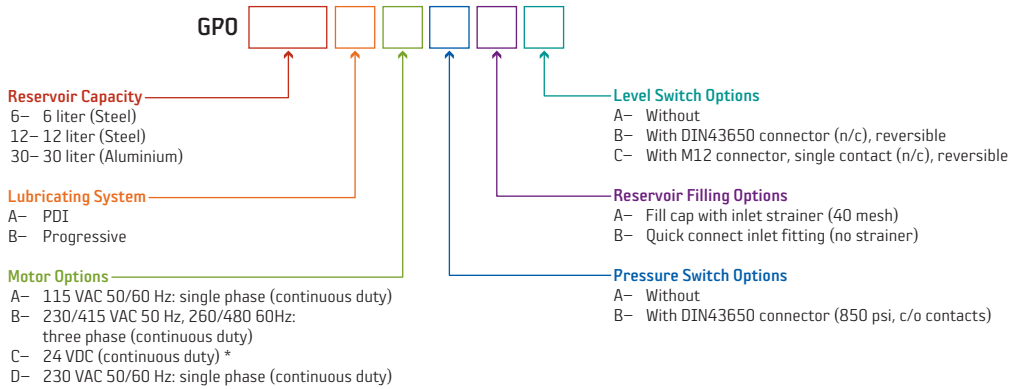
BIJUR DELIMON INTERNATIONAL

(919) 465 4448 LOCAL
(800) 631 0168 TOLL-FREE
(919) 465 0516 FAX

WWW.BIJURDELIMON.COM

2250 Perimeter Park Dr., Suite 120
Morrisville, NC 27560

How to Order

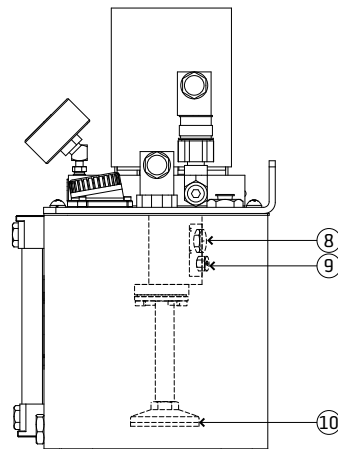
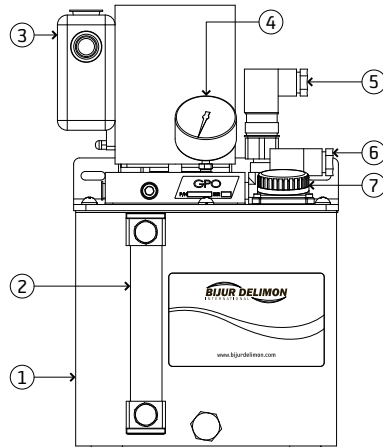


ATTENTION

* 24 VDC is supplied with motor wired to 2 way receptacle type Deutsch DT 04-2P, mating plug type Deutsch DT 06-2S and pins also supplied with pump

Service Parts

Item	Description	Part #	
1	Reservoir ¹	6 liter	29165
		12 liter	29166
		30 liter	AT3015
2	Visual sight gauge	6 liter	24116-6
		12 liter	19312
		30 liter	29631
3	Motor	Single Phase 115V	36400
		Single Phase 230V	29029
		Three Phase	23233
		24 VDC	27632
4	Pressure gauge	29161	
5	Pressure switch (PDI)	29171	
6	Low level switch	6 liter ²	AC368-1
		12 liter ²	AC368
		30 liter ³	AC180-1
		6 liter ⁴	29632-1
		12 liter ⁴	29632-2
7	Filler cap w/ inlet strainer		35150
		Automotive quick connect kit	35152
8	Dump valve kit (PDI)	34799	
9	Relief valve	29183	
10	Inlet filter	24342	



¹ Includes visual sight gauge and drain plug

² NC (float reversible to NO), DIN43650 Electric conn.

³ NC and NO c/o contacts DIN43650 Electric conn.

⁴ NC (float reversible to NO), single contact M12 Electric connection

BIJUR DELIMON INTERNATIONAL

(919) 465 4448 LOCAL
(800) 631 0168 TOLL-FREE
(919) 465 0516 FAX

WWW.BIJURDELIMON.COM

2250 Perimeter Park Dr., Suite 120
Morrisville, NC 27560

How to Order

Pump & Motor Assemblies (No Reservoir)

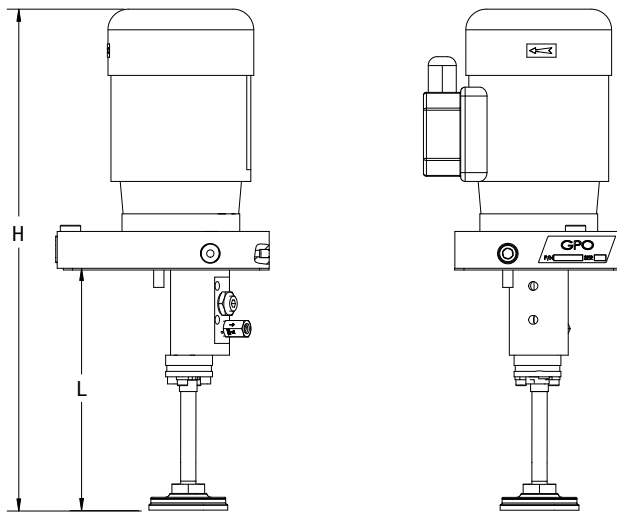
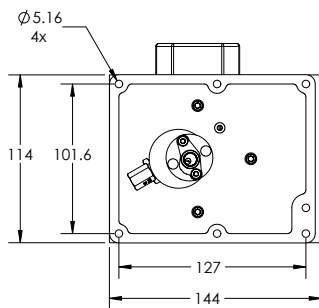
Size	115VAC	3 PHASE	24VDC	230VAC 1P	SYSTEM
6L	29163 ¹	29386-14 ¹	29386-16 ¹	-	PROG
	29163-1 ¹	29386-15 ¹	-	29386-3 ²	INJ
12L	29164 ¹	29386 ³	29386-4 ³	-	PROG
	29164-1 ¹	29386-1 ³	-	29386-19 ¹	INJ
30L	29385 ¹	29386-11 ⁴	29386-18 ¹	29164-2 ⁴	PROG
	29385-1 ¹	29386-10 ⁴	-	29386-12 ⁴	INJ

¹ Includes suction tube and filter

² Order with B9632 suction tube and 24342 filter

³ Order with B9641-7 suction tube and 24342 filter

⁴ Order with B9641-21 suction tube and 24342 filter



Size	Dimensions	115VAC	3 PHASE	24VDC	230VAC 1P
6L	L	176mm			
	H	339mm	354mm	300mm	355mm
12L	L	138mm			
	H	301mm	316mm	260mm	317mm
30L	L	265mm			
	H	428mm	443mm	388mm	444mm

BIJUR DELIMON INTERNATIONAL

(919) 465 4448 LOCAL
 (800) 631 0168 TOLL-FREE
 (919) 465 0516 FAX

WWW.BIJURDELIMON.COM

2250 Perimeter Park Dr., Suite 120
 Morrisville, NC 27560

Dimensional Schematics

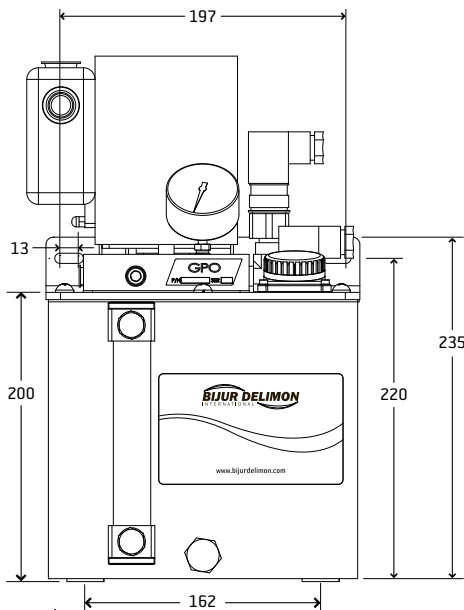
GPO 6 Liter (115 VAC Single Phase)

Measurements shown in millimeters.

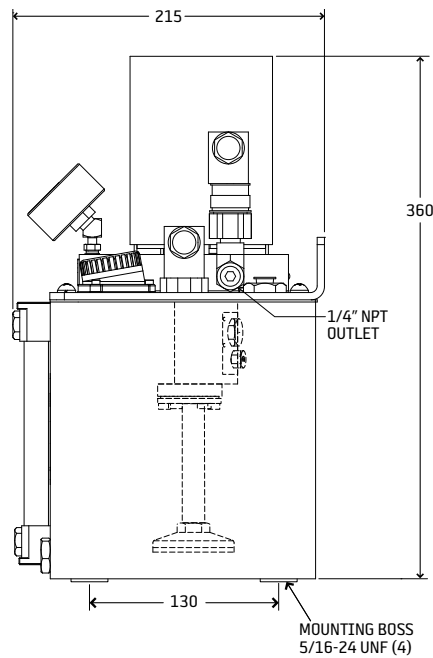
ATTENTION

Single Phase motor shown. Three Phase motor and 24 VDC also available.

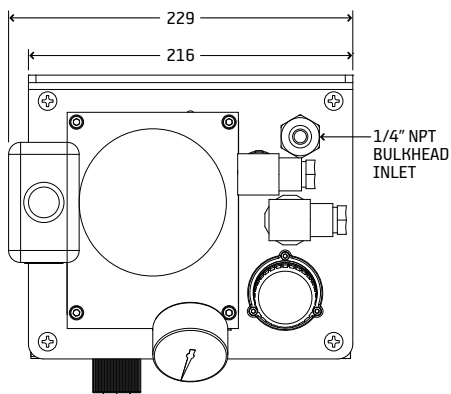
Front View



Right View



Top View



BIJUR DELIMON INTERNATIONAL

(919) 465 4448 LOCAL
(800) 631 0168 TOLL-FREE
(919) 465 0516 FAX

WWW.BIJURDELIMON.COM

2250 Perimeter Park Dr., Suite 120
Morrisville, NC 27560

Dimensional Schematics

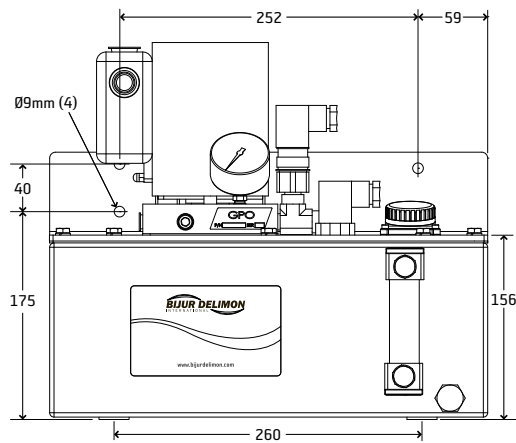
GPO 12 Liter (115 VAC Single Phase)

Measurements shown in millimeters.

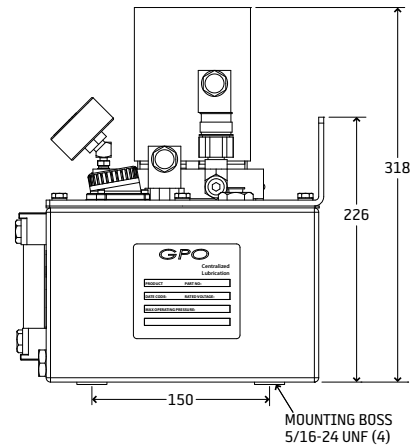
ATTENTION

Single Phase motor shown. Three Phase motor and 24 VDC also available.

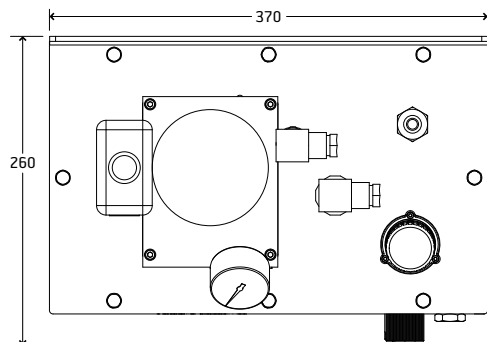
Front View



Right View



Top View



BIJUR DELIMON INTERNATIONAL

(919) 465 4448 LOCAL
(800) 631 0168 TOLL-FREE
(919) 465 0516 FAX

WWW.BIJURDELIMON.COM

2250 Perimeter Park Dr., Suite 120
Morrisville, NC 27560

Dimensional Schematics

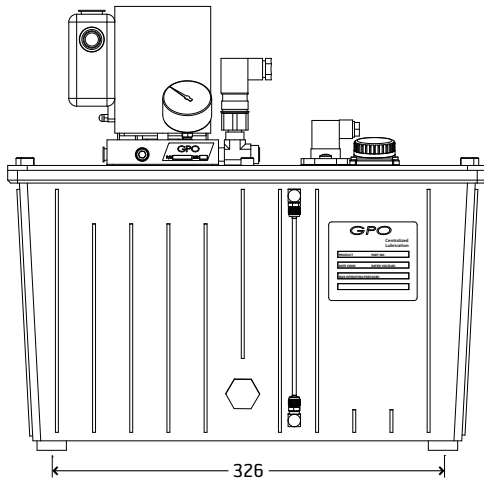
GPO 30 Liter (115 VAC Single Phase)

Measurements shown in millimeters.

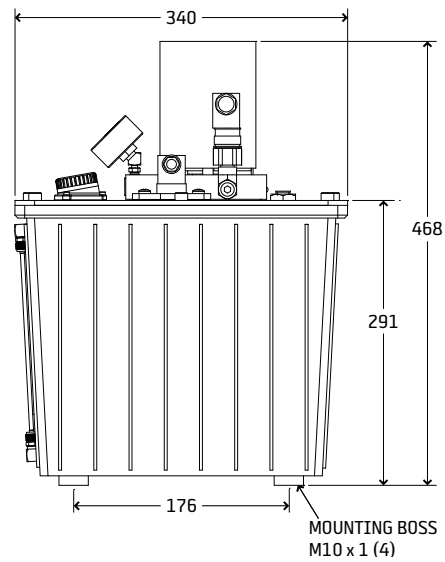
ATTENTION

Single Phase motor shown. Three Phase motor and 24VDC also available.

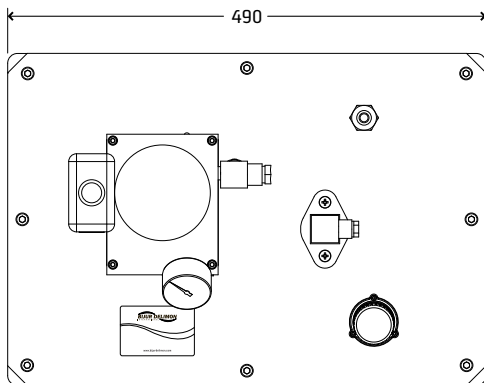
Front View



Right View



Top View



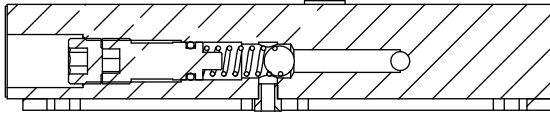
BIJUR DELIMON INTERNATIONAL

(919) 465 4448 LOCAL
(800) 631 0168 TOLL-FREE
(919) 465 0516 FAX

WWW.BIJURDELIMON.COM

2250 Perimeter Park Dr., Suite 120
Morrisville, NC 27560

Bypass Adjustments



Constant Pressure - Pressure Bypass

The progressive lubricator version is pre-set with by-pass valve closed for maximum pressure. To adjust the pressure in the system remove the locking plug from the front of the pump using a 1/4" hex key. Adjust the screw in a clock-wise direction to increase the pressure again using a 1/4" hex key or counter-clockwise to decrease the pressure. Insert and tighten the locking plug after adjustment.

BIJUR DELIMON INTERNATIONAL

(919) 465 4448 LOCAL
(800) 631 0168 TOLL-FREE
(919) 465 0516 FAX

WWW.BIJURDELIMON.COM

2250 Perimeter Park Dr., Suite 120
Morrisville, NC 27560