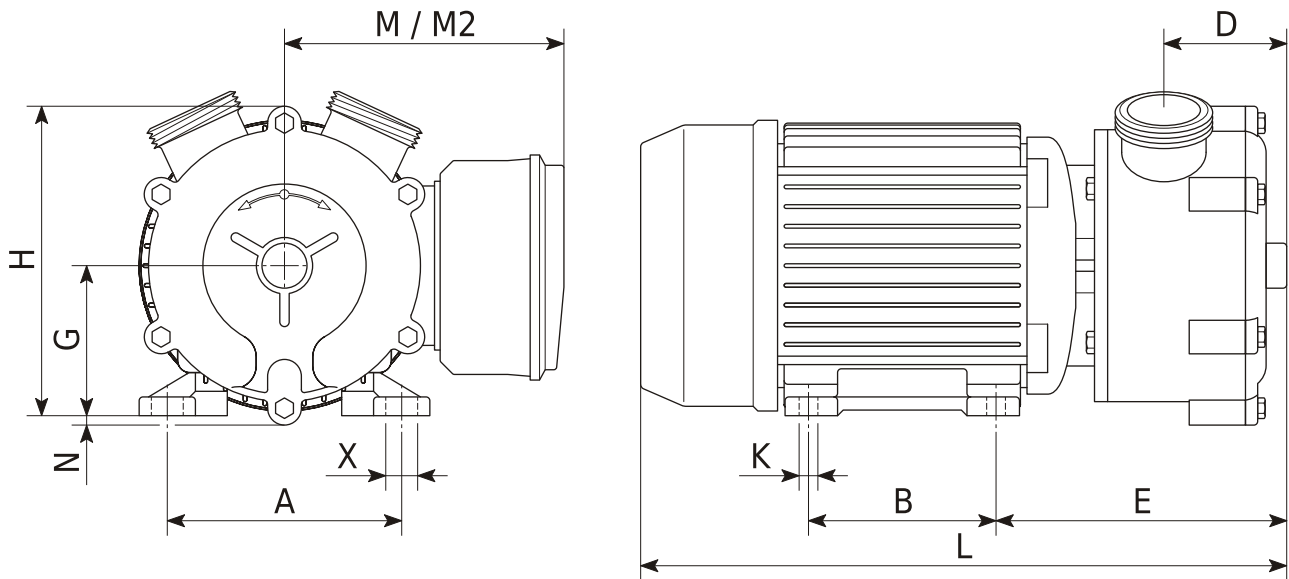


LIQUID RING SELF PRIMING ELECTRIC PUMPS - DIMENSIONS



Type	Mot.	Dimensions (mm)											
		A	B	D	E	G	H	K	L	M	M2	N	X
EPH 20	MF	90	71	35	110	56	100	5.5	251	110	-	-	8
EPH 25	MF	112	90	40	130	71	124	7	308	125	-	-	11
EP 20	CC	100	80	35	115	63	106	7	295	-	110	-	12
	MF-TF	90	71	35	110	56	100	5.5	251	135	100	-	8
EP 25	CC	112	90	40	127	71	124	8	320	-	110	-	12
	MF-TF	112	90	40	130	71	124	7	308	145	118	-	11
EP 30	CC	125	100	50	140	80	165	8	375	-	125	5	16
	MF-TF	125	100	50	140	80	165	10	330	155	125	5	17.5
EP 40	CC	140	125	67	180	90	165	10	490	-	130	-	17.5
	MF-TF	125	100	67	162	80	165	10	352	155	125	5	17.5
EP 50	MF-TF	140	125	90	180	90	175	10	435	160	130	12	17.5
EP JUNIOR 1"1/4	CC	112	90	50	168	71	137	8	360	-	110	-	12
	MF-TF	112	90	50	168	71	137	8	336	145	110	-	12
EP SENIOR 1"1/2	CC	140	125	76	190	90	165	10	500	-	130	-	17.5
	MF-TF	125	100	76	170	80	165	10	360	155	125	-	17.5
EP MASTER 2"	MF-TF	140	125	94	215	90	193	10	440	160	130	-	17.5

M = on-off reverse switch-capacitor box
M2 = terminal board connection